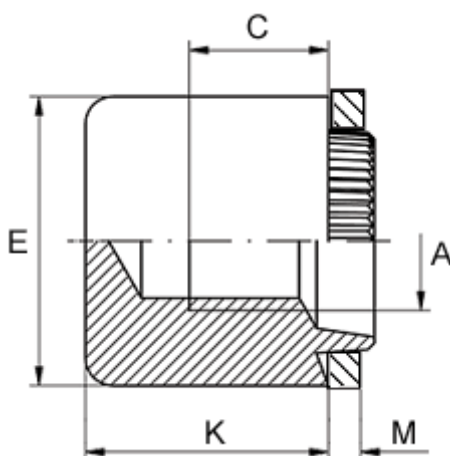


Article number: 12757000060110

Description: KLEE-coil 757 000 060.110
M6 Steel, zinc-pl. & chr. blue

Measures



| | |
|--|--------------|
| Female thread A | = M6 |
| Height K | = 11.0 |
| Min thread length C | = 6.0 |
| Outer diameter E | = 13.0 |
| Plate thickness | = 4.7 to 4.9 |
| Recommended bore diameter for extreme load | = 10.0 |
| Recommended bore diameter for normal use | = 10.0 |